

# Inventure Maintenance Guide

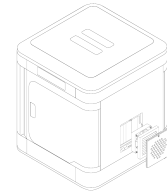
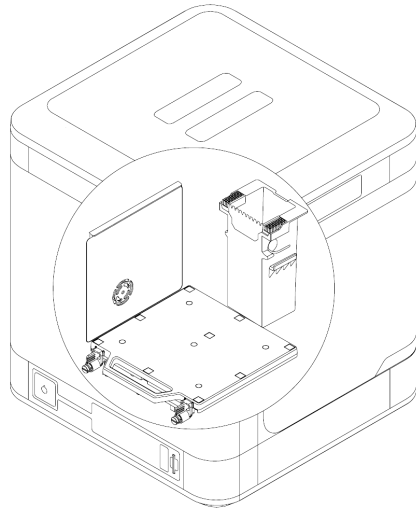
SOURCE:

<http://support.zortrax.com/inventure-maintenance-guide/>

## Table Of Content

Main  
Hotends  
Platform

# Main



## ACTIVITY

## FREQUENCY

## SOLUTIONS TO THE NECESSARY PROBLEMS

## ACCESSORIES

Cleaning the interior of the device (the chamber) and its surroundings, especially the bottom plate under the platform

Before each print

The user is responsible for keeping the device clean. To remove material remains from the interior of the device, use a vacuum cleaner or compressed air

A vacuum cleaner, cleaning products with a high evaporation rate

Checking the degree of wear of the HEPA filter and cleaning the filter if it's necessary

Every 500 working hours

Unscrew the HEPA filter cover placed at the back of the printer. If the filter is considerably dirty, clean it using a vacuum cleaner or compressed air

A vacuum cleaner, compressed air, a 2mm Allen key

Replacing the HEPA filter

Every 3000 working hours

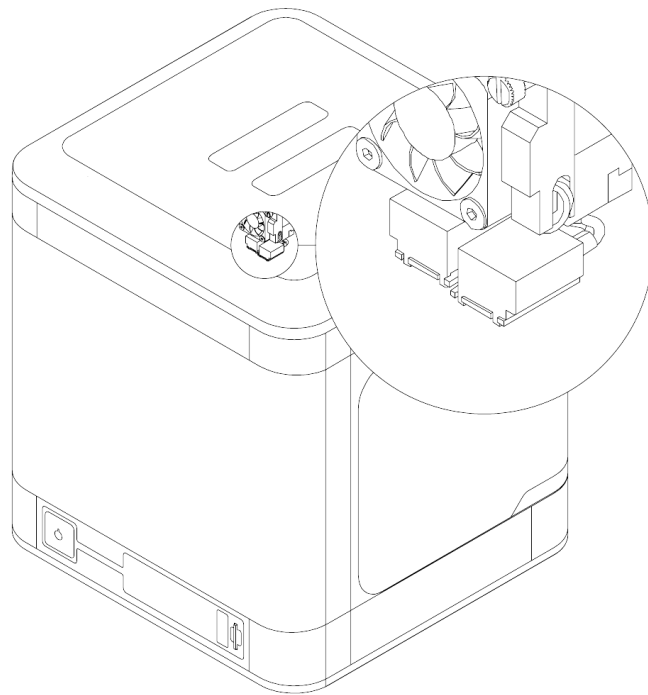
Unscrew the HEPA filter cover placed at

A 2mm Allen key

Lubricating the Z axis Every 500 working hours

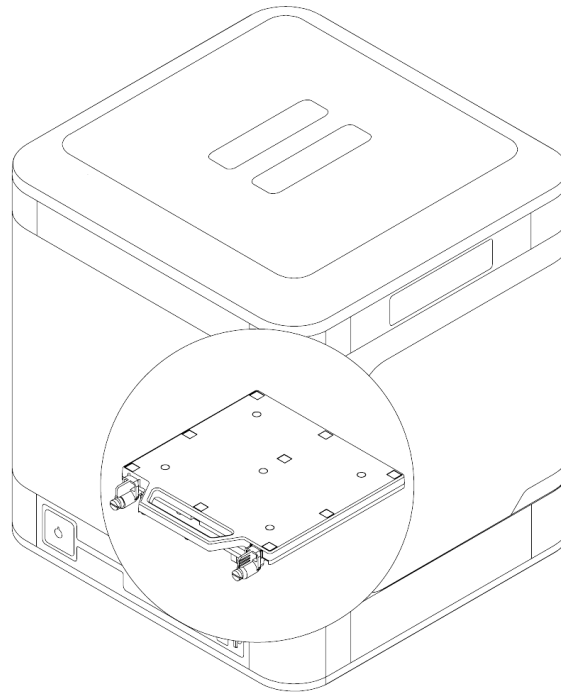
the back of the printer  
and remove the filter  
Unscrew the HEPA A 2mm Allen key and  
filter cover placed at service grease  
the back of the printer  
and remove the filter.  
The Z axis can be  
now easily accessed

# Hotends



<b>ACTIVITY</b>	<b>FREQUENCY</b>	<b>SOLUTIONS TO THE NECESSARY PROBLEMS</b>	<b>ACCESSORIES</b>
Checking if the hotends are free from material residues	Before each print	To remove material residues accumulated on the hotends, between them, and on their covers, use a spatula	A spatula
Replacing the hotend and the nozzle covers	Every 500 working hours	Replace the hotend with a flathead screwdriver	A flathead screwdriver

# Platform



<b>ACTIVITY</b>	<b>FREQUENCY</b>	<b>SOLUTIONS TO THE NECESSARY PROBLEMS</b>	<b>NECESSARY ACCESSORIES</b>
Cleaning the build tray	Before each print	To remove material remains from the surface of the build tray, use a spatula	A spatula